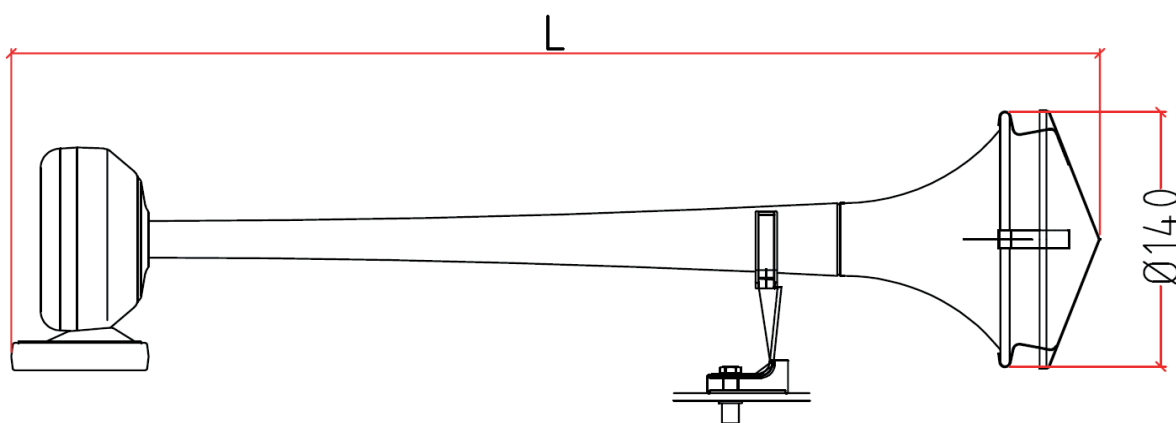


DATA SHEET

HORN MODEL COMMERCIAL LENGTH	TOTAL LENGTH (L) (mm)	WEIGHT (kg)	FREQUENCY (Hz)
A402/55	590	1.058	234
A402/60	625	1.104	217
A402/65	675	1.128	217
A402/70	720	1.182	170
A402/80	780	1.269	152
A402/85	800	1.307	146

ART. A402
COMPRESSED AIR HORN

MAIN SPECIFICATIONS AND PERFORMANCES PRINCIPALI CARATTERISTICHE		
Sound pressure level Livello Sonoro	Within 118	dB
Working Pressure Pressione di Esercizio	8	bar
Operating Temperature Temperatura di utilizzo	-30° to +80°	°C
Storage Temperature Temperatura di stoccaggio	-30° to +80°	°C
Corrosion Resistance Resistenza alla corrosione	>650 (salt spray test)	Hours
Durability (1 sec On, 5 sec OFF) Durata	>55.000	Cycles
Main Materials Principali Materiali	Stainless Steel AISI 304	
Main Applications Principali Applicazioni	Trucks	

MANUFACTURING
PRODUZIONE**ISO 9001:2015**
ISO 14001:2015
ECE R28